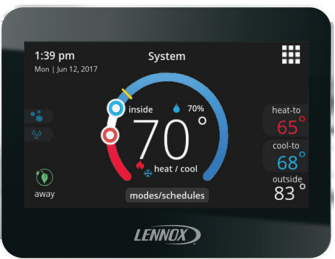


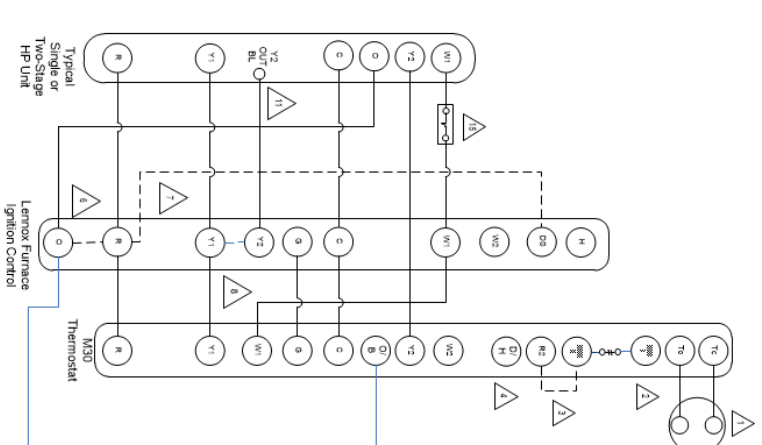
# NOTES

537913-01  
1/2020  
Supersedes 9/2018

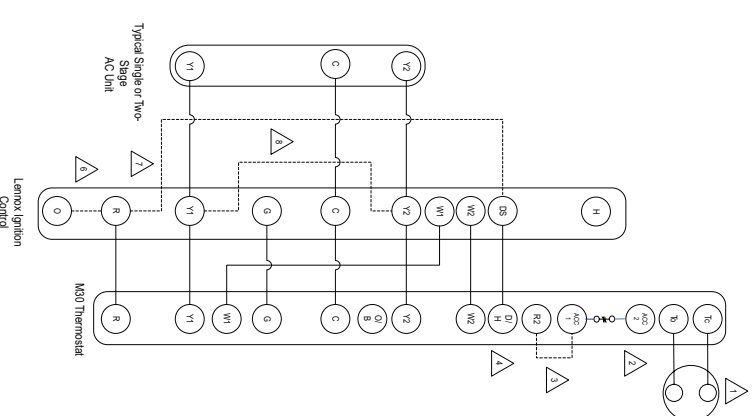
1. Optional outdoor temperature sensor (X2658) to display outdoor temperature on home screen. Also required for humidifier dew point control, heat pump balance points and dual fuel balance points.
2. ACC2 terminal is set at the factory for dehumidifier.
3. A secondary 24VAC power source may be connected to ACC1 when the factory provided R2 to ACC1 jumper is removed.
4. D/H terminal is for an optional dehumidifier or humidifier. Factory setting is set for humidifier.
5. For two-stage electric heat, connect thermostat W2 to heat pump W2 and remove metal jumper between thermostat W1 and W2 terminals.
6. Cut on-board clipplable link from R to O for heat pump applications only.
7. Cut on-board clipplable link from R to D/S when dehumidification D/S terminal is used.
8. For two-stage outdoor unit operation, cut on-board clipplable link from Y1 to Y2 on indoor unit control.
9. D/H terminal is configured for dehumidification. Factory default is for humidification.
10. Used in heat pump applications only.
11. Install field-provided jumper between Y2 OUT BL on heat pump to Y2 on indoor unit.
12. For humidifier having greater than one amp power draw, 48G95 or equivalent 5VA maximum can be used with all thermostat applications.
13. Remove jumper between D/S and Y1 when humidity control is used.
14. Dehumidification Relay Kit (40K58).
15. Defrost Temper Kit (67M41).
16. Condensate Overflow Switch (X2658) to display outdoor temperature on home screen.
17. Terminals O, D/S, Y1 and Y2 used only on some air handler.
18. Remove jumper between R and W2 if present. May cause erroneous alarm 125.
19. Aquastat provided by installer. Set air handler continuous fan speed to desired heating CFM.
20. Use the HRV/ERV interlock relay terminals to run system blower when HRV/ERV runs.
21. Isolation relay (56L68) for boilers.
22. If D/H terminal is set for dehumidification, then wire from thermostat D/H terminal to relay terminal.
23. Blower interlock relay.
24. Remove jumper when using float switch.
25. Aux Dehumidifier Relay (56L68).



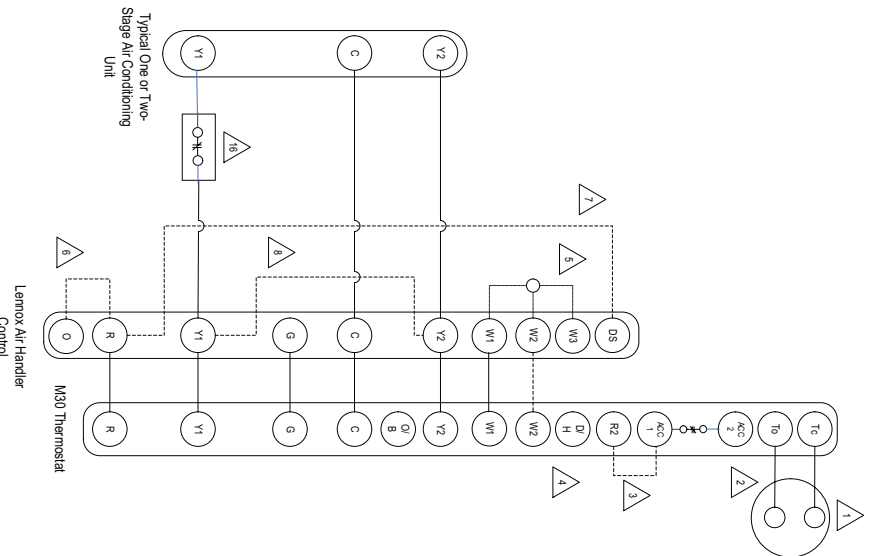
## iComfort® M30 Smart Thermostat System Diagrams



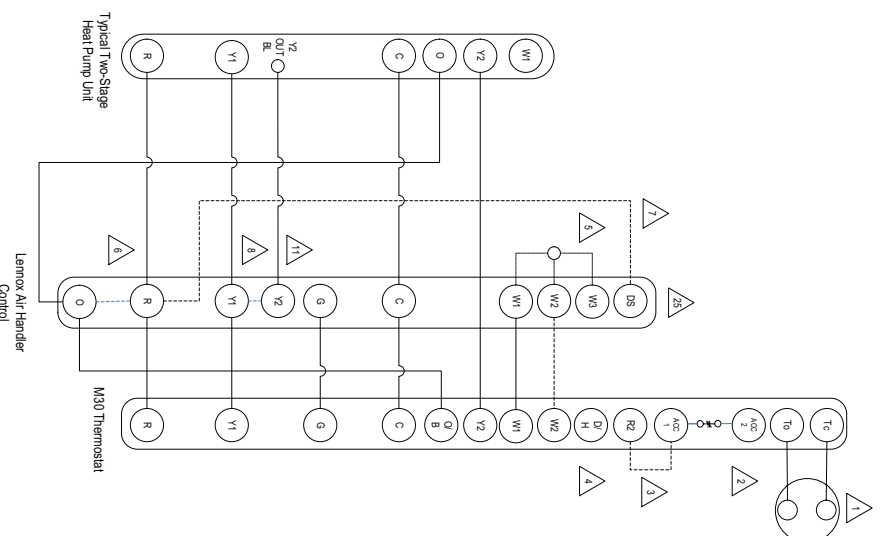
FURNACE (80%) WITH 1 OR 2 STAGE HEAT PUMP WITH DEFROST TEMPERING



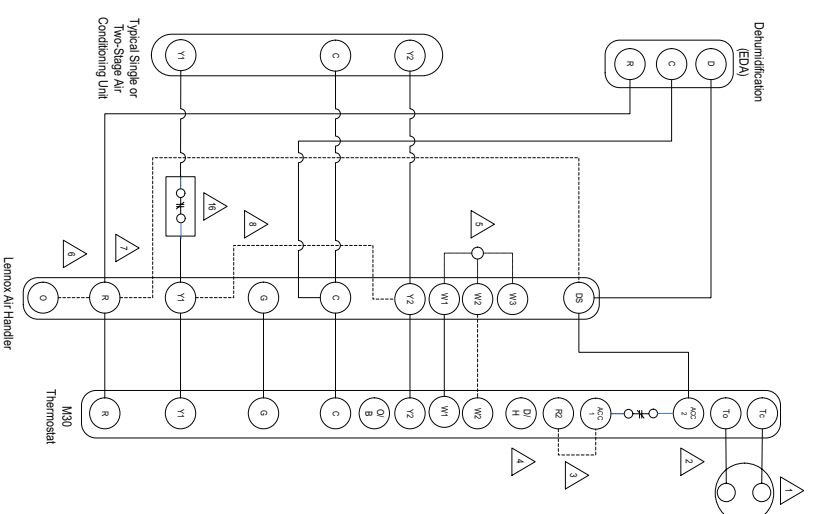
FURNACE (80%) WITH 1 OR 2 STAGE AIR CONDITIONER



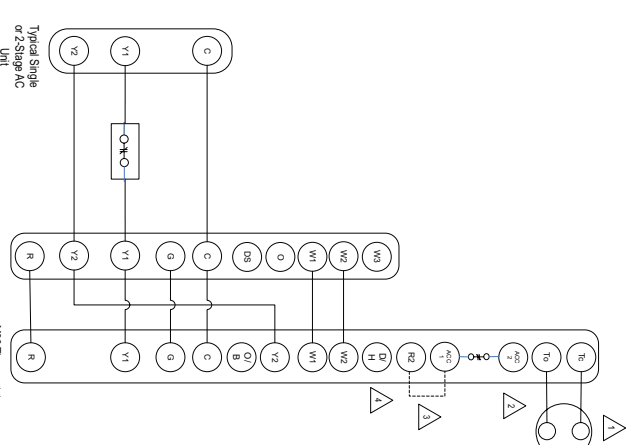
AIR HANDLER WITH 1 OR 2 STAGE AIR CONDITIONER AND CONDENSATE OVERFLOW SWITCH



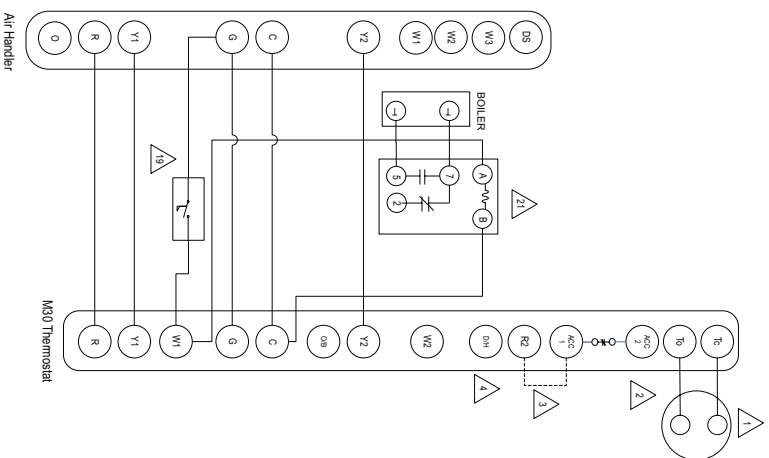
AIR HANDLER WITH 1 OR 2 STAGE HEAT PUMP



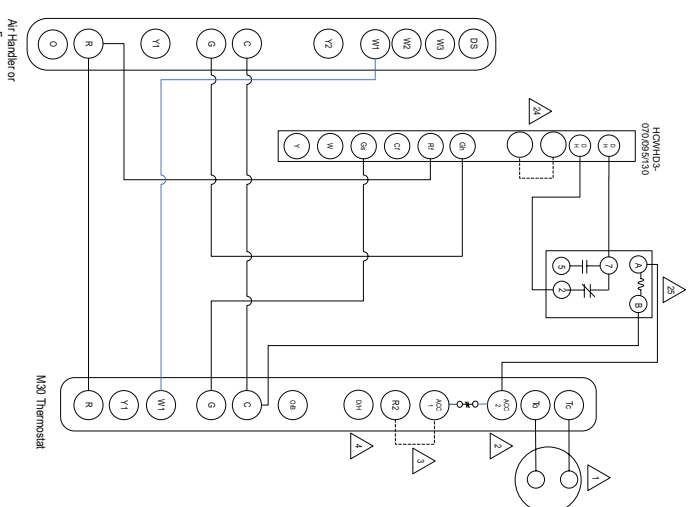
AIR HANDLER WITH 1 OR 2 STAGE AIR CONDITIONER WITH DEHUMIDIFICATION AND CONDENSATE OVERFLOW SWITCH



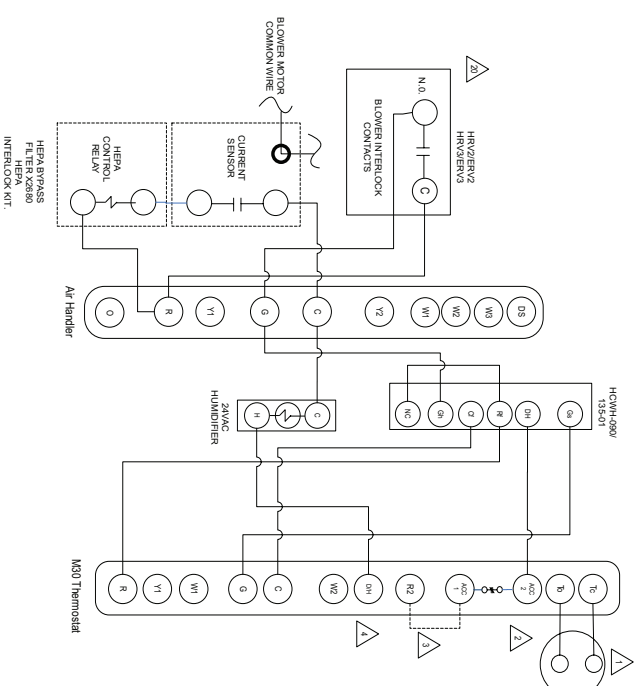
AIR HANDLER WITH 1 OR 2 STAGE AIR CONDITIONER AND CONDENSATE OVERFLOW SWITCH



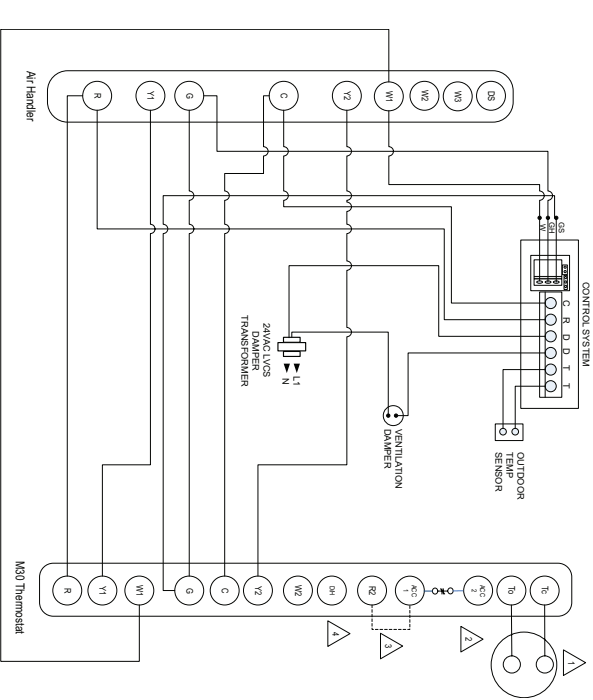
**BOILER WITH CONVENTIONAL AIR HANDLER WITH HOT WATER COIL AND AQUASTAT RELAY CONTROL**



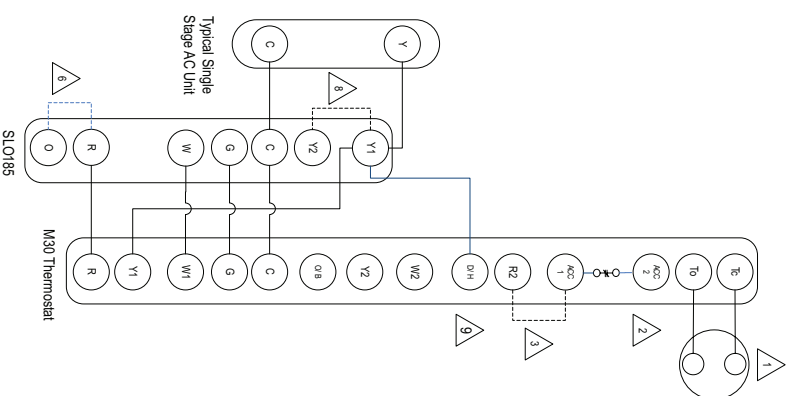
**AIR HANDLER OR FURNACE WITH HCWH3-70/95/130 DEHUMIDIFIER AND RELAY CONTROL**



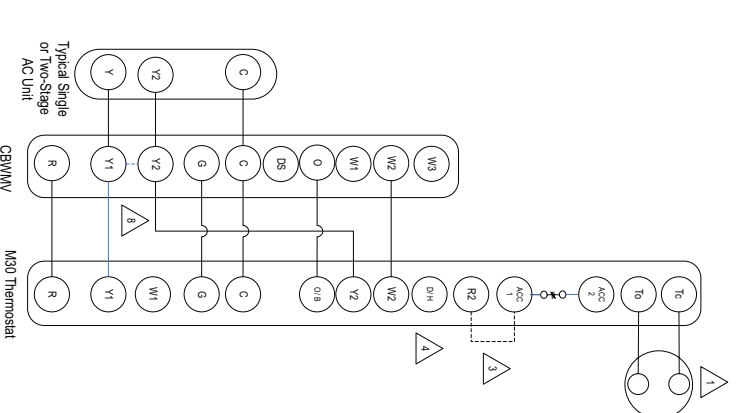
**AIR HANDLER WITH HR/ERV, 24VAC HUMIDIFIER, HCWH-090/135-01, HEPA BYPASS FILTER**



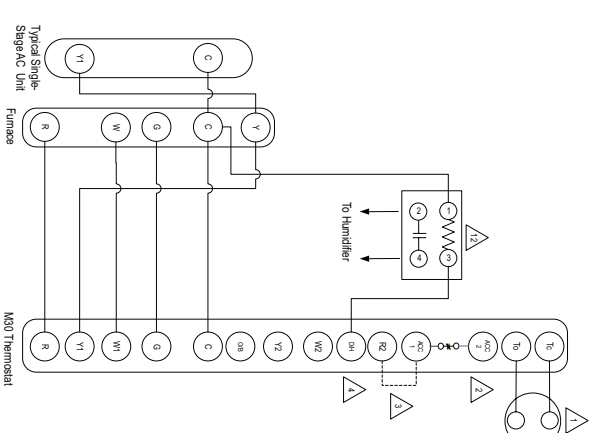
**AIR HANDLER WITH LVCS**



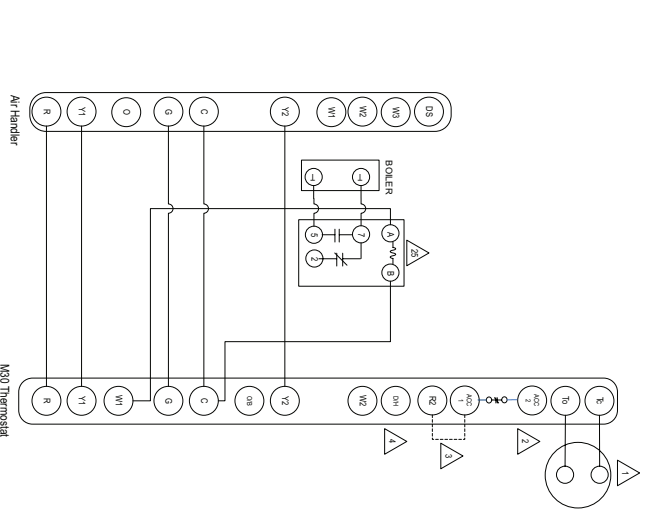
**OIL WITH 1 STAGE AIR CONDITIONER (DH TERMINAL CONFIGURED FOR DEHUMIDIFICATION)**



**CBMMV WITH 1 STAGE AIR CONDITIONER**



**CONVENTIONAL FURNACE WITH SINGLE STAGE AIR CONDITIONER AND HUMIDIFIER**



**BOILER WITH CONVENTIONAL AIR HANDLER AND HYDRONIC BASEBOARD HEATING AND RELAY CONTROL**